

## Reduction

xxxx PAzz RPg

<b>Reduction</b>	Polyamide PA6 GF30
<b>External thread</b>	Pg as per DIN 40430
<b>Internal thread</b>	Pg as per DIN 40430



Design 1

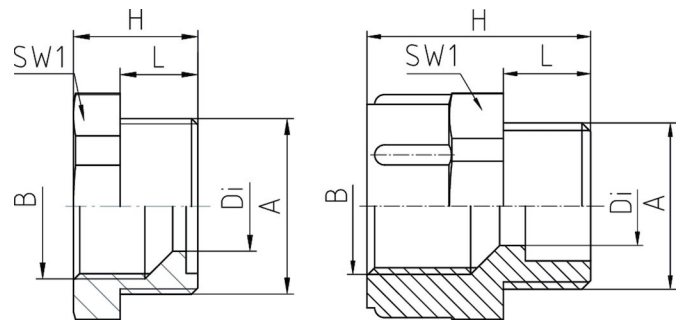


Design 2\*

## Properties


<b>Temperature range</b>	-40 °C +100 °C
<b>Protection grade</b>	dependent on the combination with other components

- reduction of threaded or clearance holes to smaller thread sizes




## Features

 RAL 9005

A	B	L	SW1	H	Di	 VPE	Part No.
Pg 9	Pg 7	8	19	20,5	7	100	907 PA/SW*
Pg 11	Pg 7	8	22	14	7,5	100	1107 PA/SW
Pg 11	Pg 9	8	22	22,5	10	100	1109 PA/SW*
Pg 13,5	Pg 9	9	24	15	10	100	1309 PA/SW
Pg 13,5	Pg 11	9	24	24	11,5	100	1311 PA/SW*
Pg 16	Pg 9	10	27	16	10	100	1609 PA/SW
Pg 16	Pg 11	10	27	16	11,5	100	1611 PA/SW
Pg 16	Pg 13,5	10	27	27	13	100	1613 PA/SW*
Pg 21	Pg 11	11	32	16	11,5	100	2111 PA/SW
Pg 21	Pg 13,5	11	32	16	13,5	100	2113 PA/SW
Pg 21	Pg 16	11	32	16	15,5	100	2116 PA/SW
Pg 29	Pg 16	11	40	17	17	50	2916 PA/SW
Pg 29	Pg 21	11	40	17	22	50	2921 PA/SW

 RAL 7035

A	B	L	SW1	H	Di	 VPE	Part No.
Pg 9	Pg 7	8	19	20,5	7	100	907 PA*
Pg 11	Pg 7	8	22	14	7,5	100	1107 PA
Pg 11	Pg 9	8	22	22,5	10	100	1109 PA*
Pg 13,5	Pg 7	9	24	15	7,5	100	1307 PA
Pg 13,5	Pg 9	9	24	15	10	100	1309 PA
Pg 13,5	Pg 11	9	24	24	11,5	100	1311 PA*
Pg 16	Pg 9	10	27	16	10	100	1609 PA
Pg 16	Pg 11	10	27	16	11,5	100	1611 PA
Pg 16	Pg 13,5	10	27	27	13	100	1613 PA*
Pg 21	Pg 11	11	32	16	11,5	100	2111 PA
Pg 21	Pg 13,5	11	32	16	13,5	100	2113 PA
Pg 21	Pg 16	11	32	16	15,5	100	2116 PA
Pg 29	Pg 13,5	11	40	17	14	50	2913 PA
Pg 29	Pg 16	11	40	17	17	50	2916 PA
Pg 29	Pg 21	11	40	17	22	50	2921 PA
Pg 36	Pg 21	13	50	19	21,5	50	3621 PA
Pg 36	Pg 29	18	50	24	30,5	50	3629 PA
Pg 42	Pg 21	18	55	24	21,5	25	4221 PA
Pg 42	Pg 29	18	55	24	28	25	4229 PA
Pg 42	Pg 36	18	55	24	39	25	4236 PA
Pg 48	Pg 29	18	-	24	30,5	25	4829 PA
Pg 48	Pg 36	14	60	20	38,5	25	4836 PA
48	Pg 42	17	60	23	42,5	25	4842 PA